




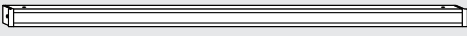






ASSEMBLY INSTRUCTION

Wall Trellis 9 in 1

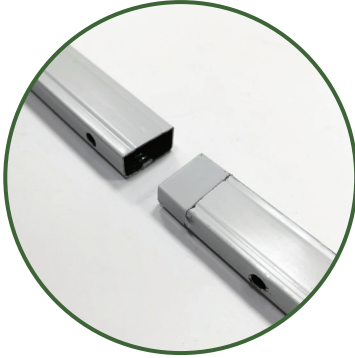


Package List

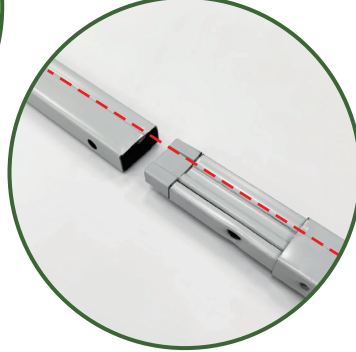
A	39.5"		× 6				
B	39"		× 2				
C	29.5"		× 2				
D	20"		× 2				
E	18"×2		× 4				
F	18"		× 8				
G	12"		× 6				
H		× 12	I		× 40		× 1

1

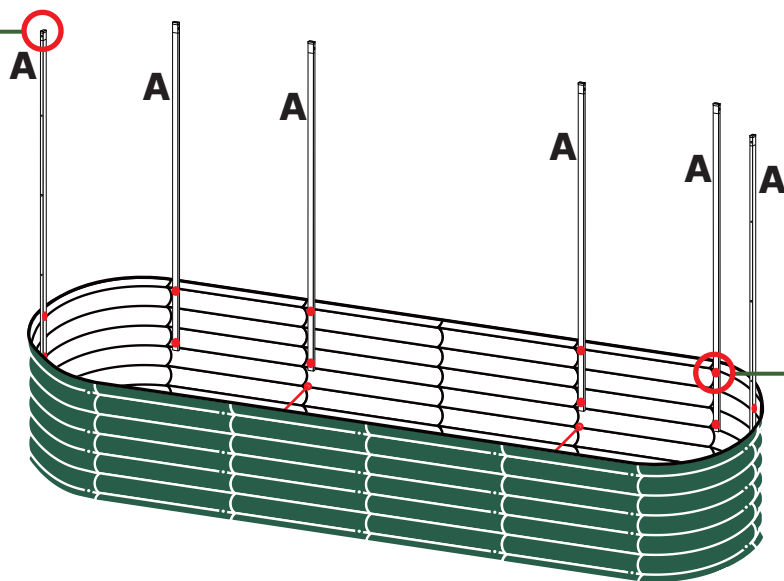
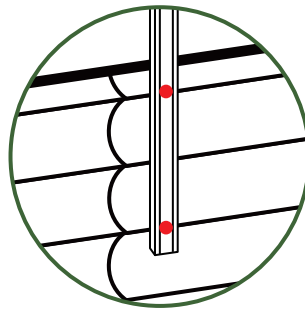
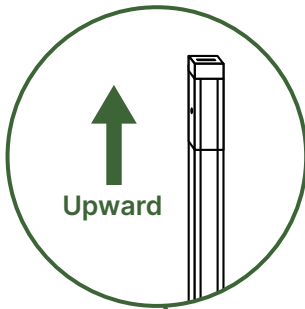
Front



Back

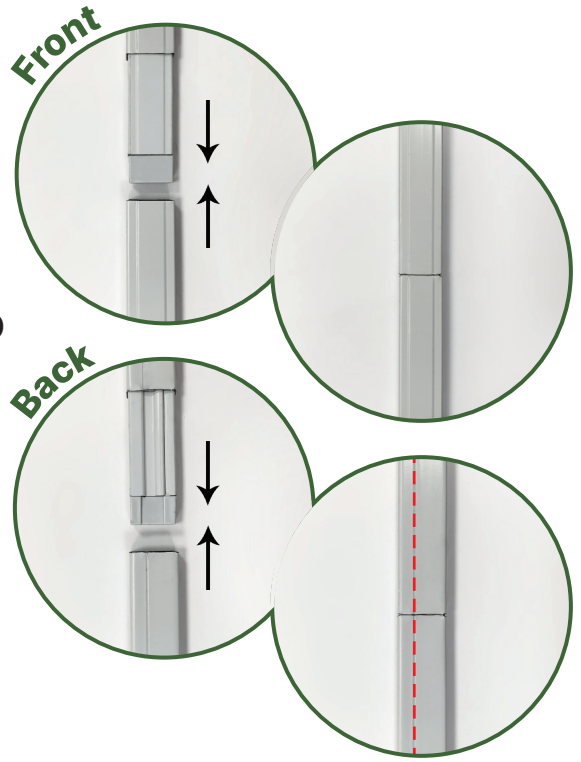
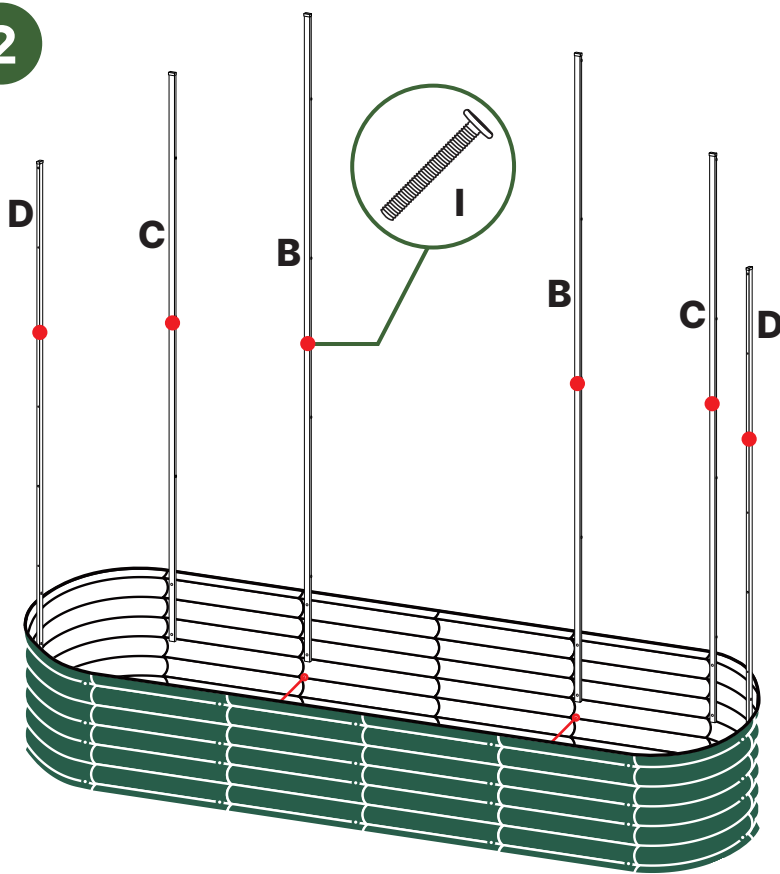


Please distinguish between the front and back of the straight rods when installing them, keeping the grain aligned on the front and the seams aligned on the back.



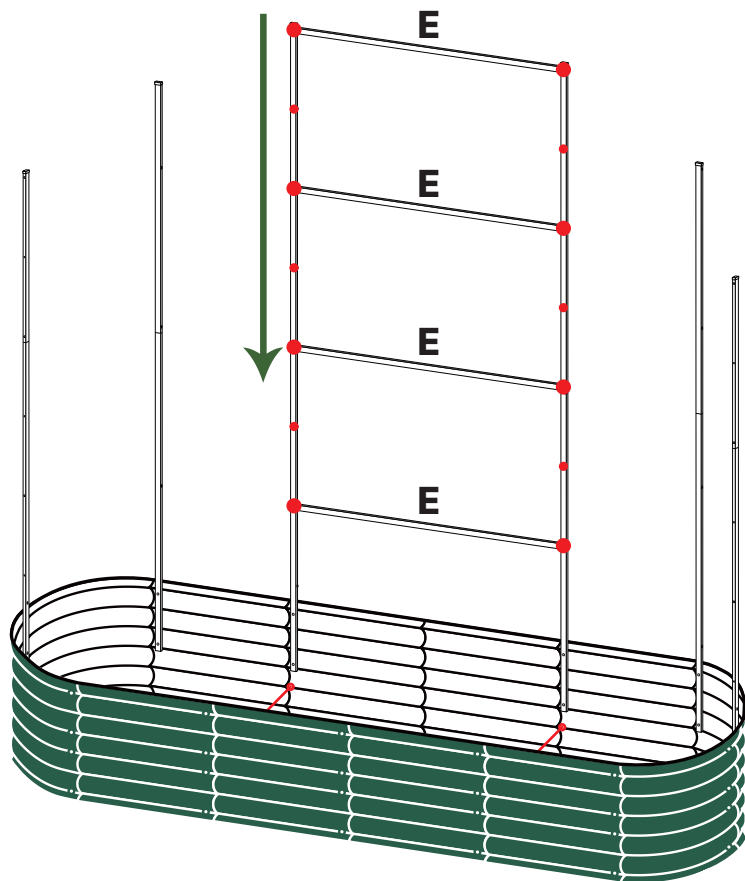
Fix the A-rods in the garden bed with an H-screws against the top two holes, with the narrower end of the A-rod toward the top.

2



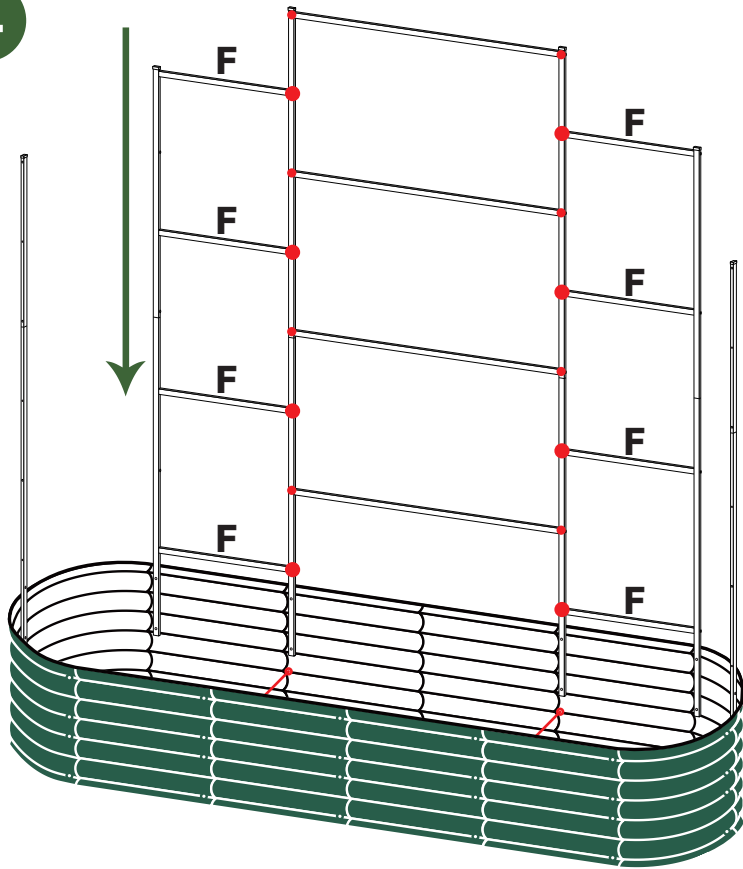
Install the B-rods, C-rods, and D-rods in the correct order, paying attention to the back seam alignment.

3

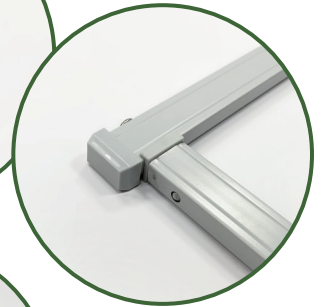


Install the E-rod with I-screws in the middle of the two B-rods, starting from the top hole of the B-rods and every other hole thereafter, continuing until four E-rods are installed.

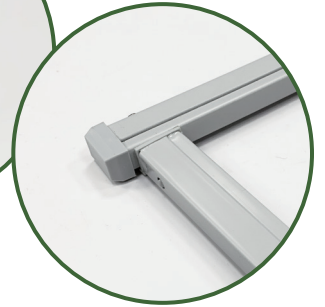
4



Front

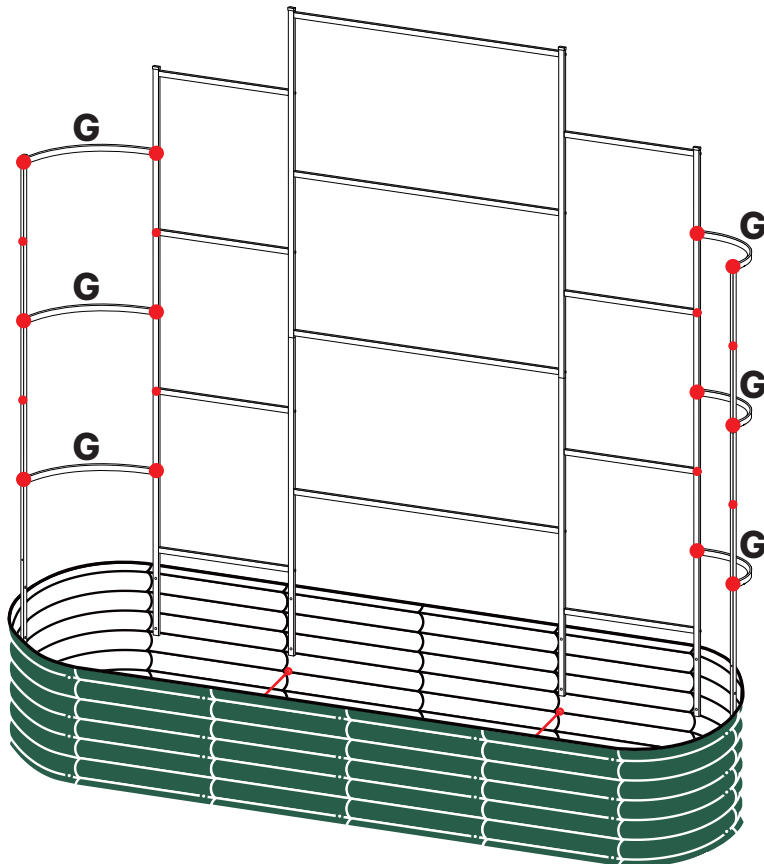


Back



Install F-rods in the middle of B-rods and C-rods, starting from the top hole of the C-rods and every other hole thereafter, continuing until four F-rods are installed.

5




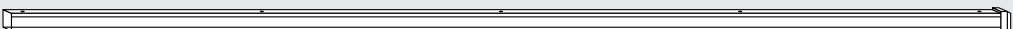



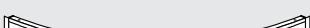
Install G-rods in the middle of C-rods and D-rods, starting from the top hole of the D-rods and every other hole thereafter, continuing until four G-rods are installed.

ASSEMBLY INSTRUCTION

Wall Trellis 6 in 1



Package List

A	39.5"		× 6
B	39"		× 2
C	29.5"		× 2
D	20"		× 2
E	18"		× 12
F	12"		× 6

H



× 12

I



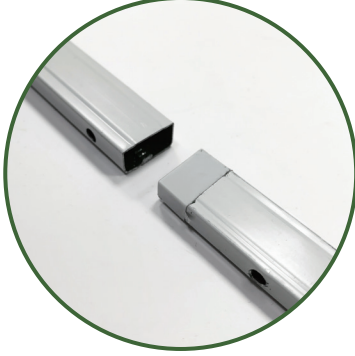
× 40



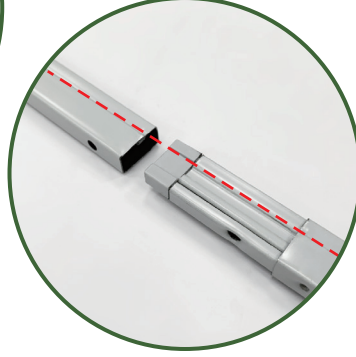
× 1

1

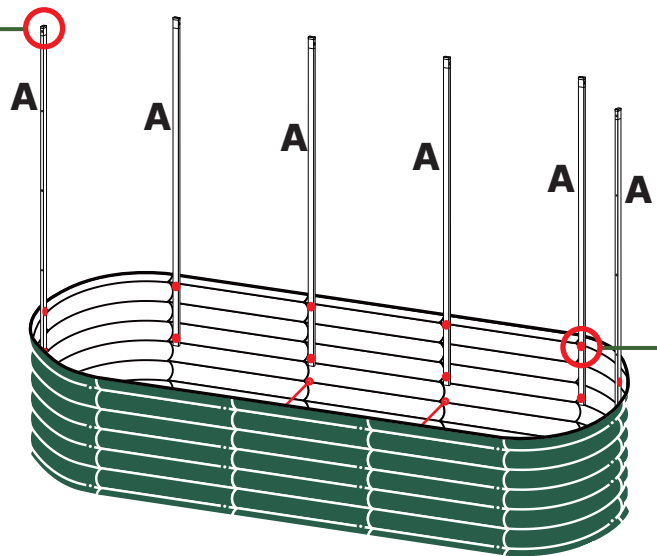
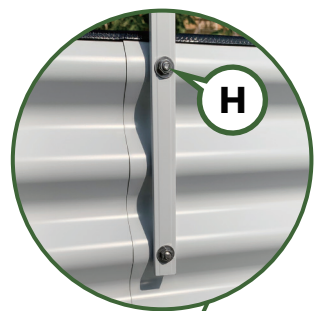
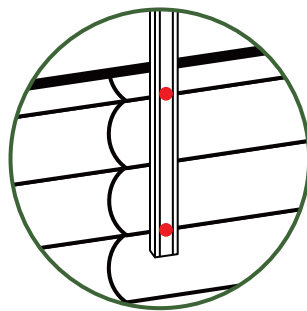
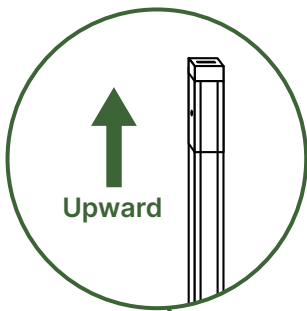
Front



Back

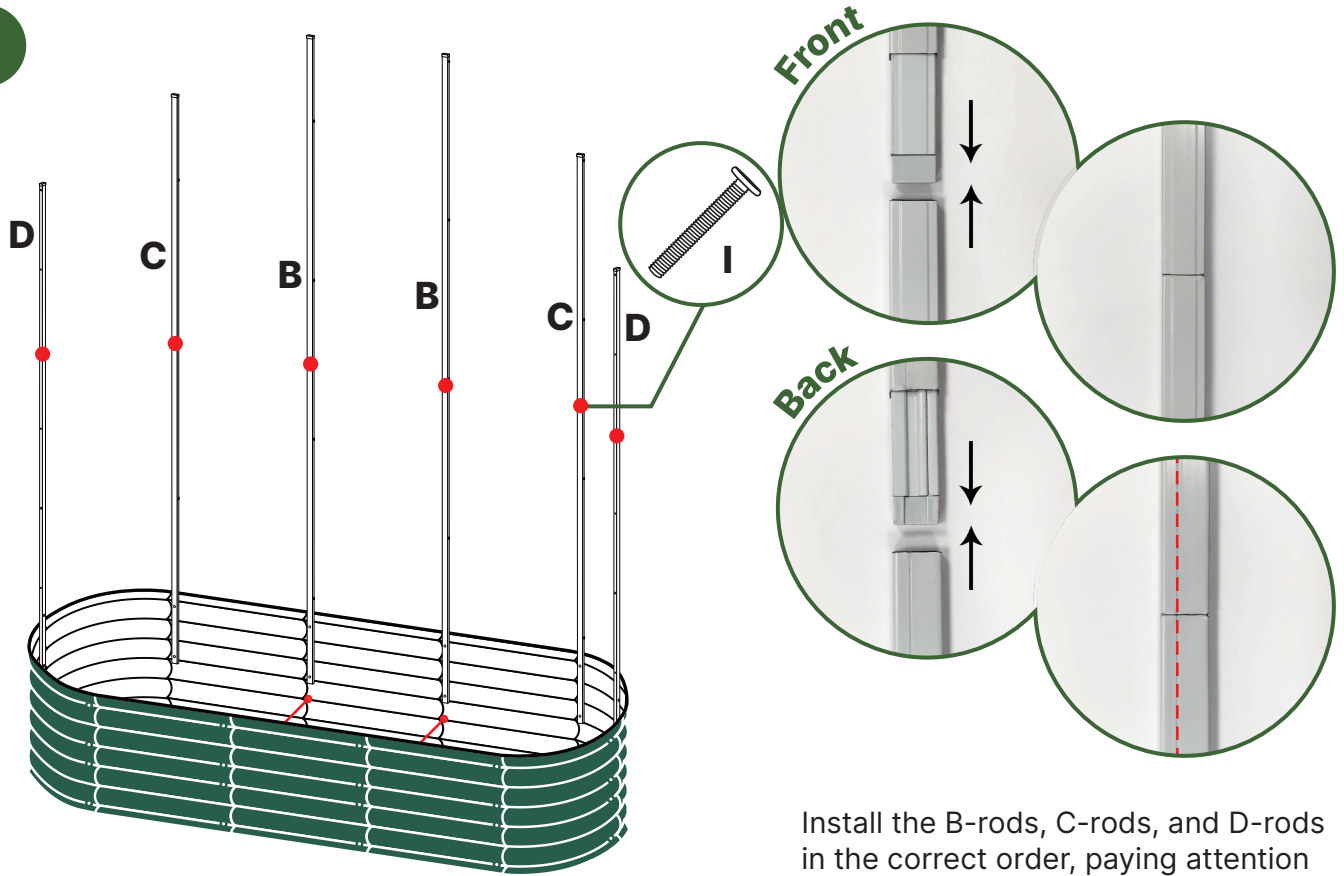


Please distinguish between the front and back of the straight rods when installing them, keeping the grain aligned on the front and the seams aligned on the back.



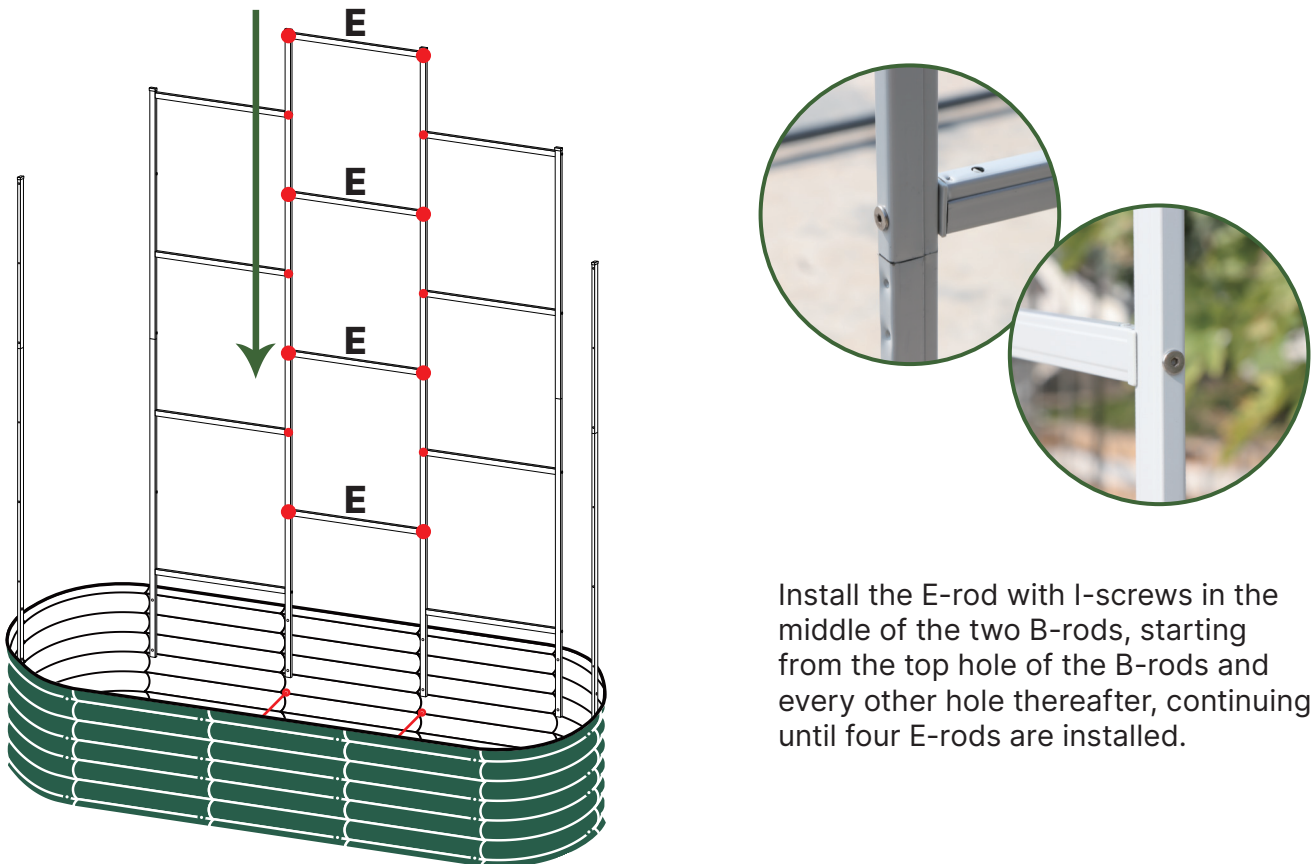
Fix the A-rods in the garden bed with an H-screws against the top two holes, with the narrower end of the A-rod toward the top.

2



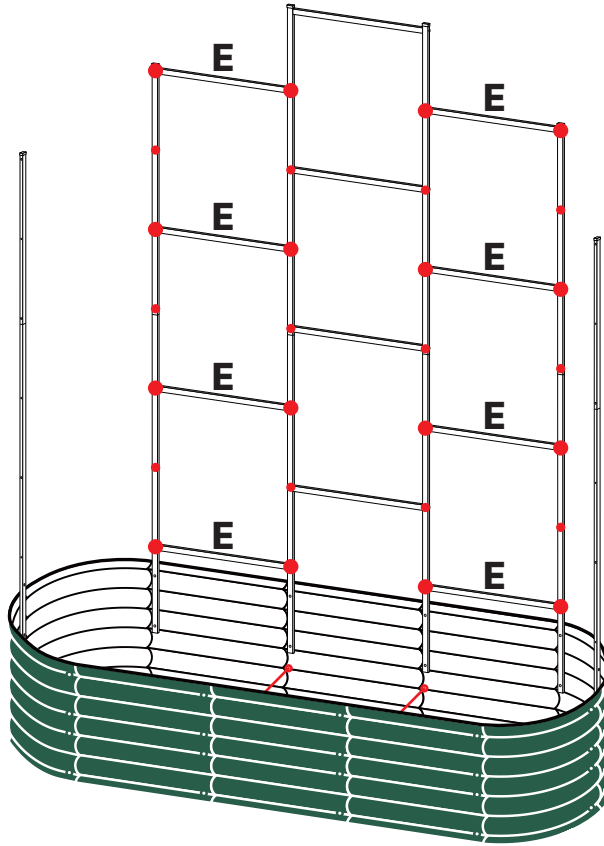
Install the B-rods, C-rods, and D-rods in the correct order, paying attention to the back seam alignment.

3



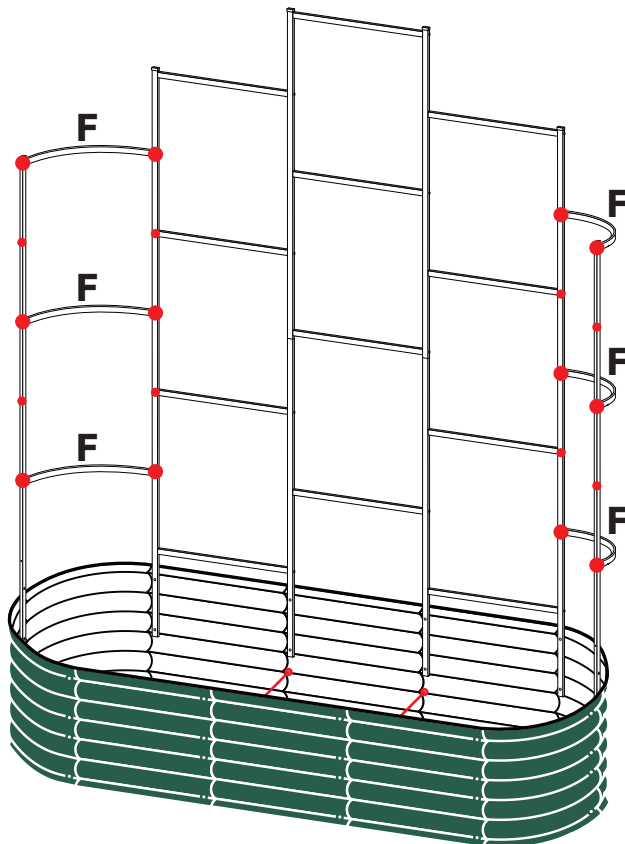
Install the E-rod with I-screws in the middle of the two B-rods, starting from the top hole of the B-rods and every other hole thereafter, continuing until four E-rods are installed.

4



Install E-rods in the middle of B-rods and C-rods, starting from the top hole of the C-rods and every other hole thereafter, continuing until four E-rods are installed.

5




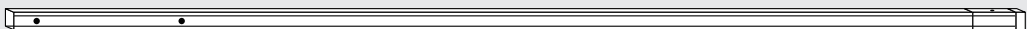

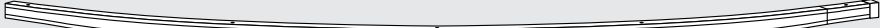

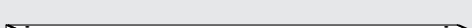



Install F-rods in the middle of C-rods and D-rods, starting from the top hole of the D-rods and every other hole thereafter, continuing until four F-rods are installed.

ASSEMBLY INSTRUCTION

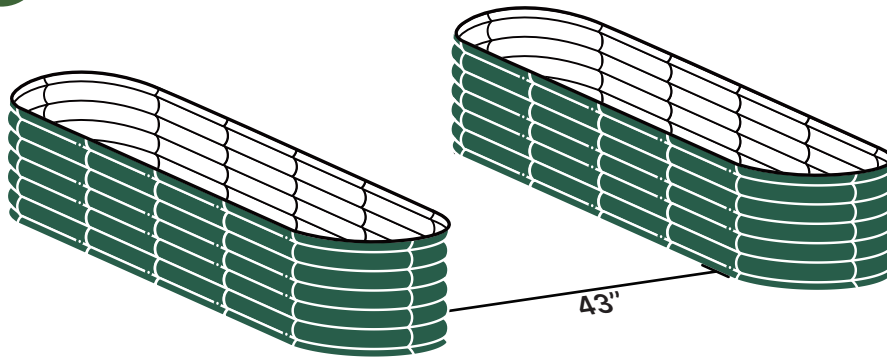
Arched Trellis 9 in 1



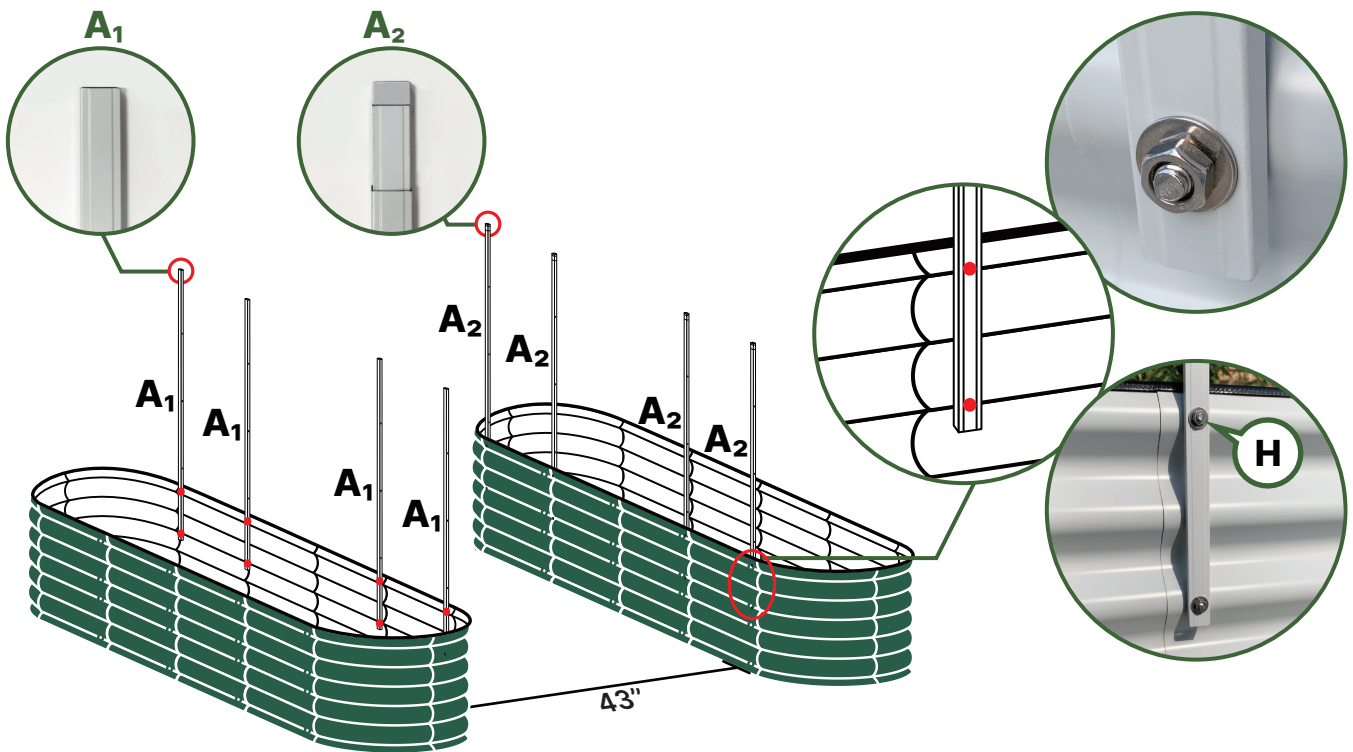
Package List

A₁	39"		× 4
A₂	39.5"		× 4
B	39.5"		× 8
C	35"		× 8
D	18"×2		× 12
E	18"		× 22
H		× 16	
I		× 70	
		× 1	

1

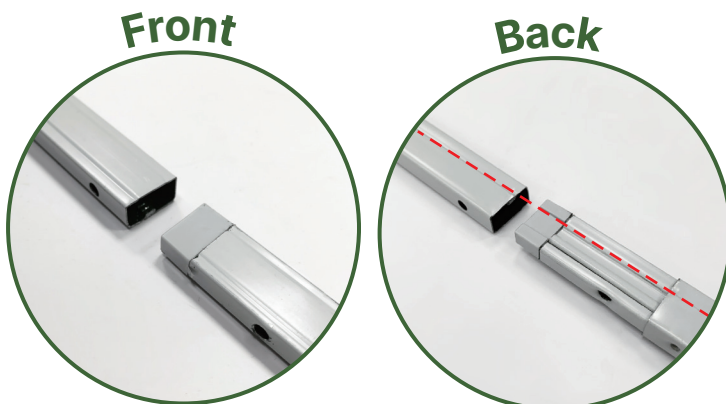


Put two 9-in-1 garden beds in parallel with 43-inch width between them.



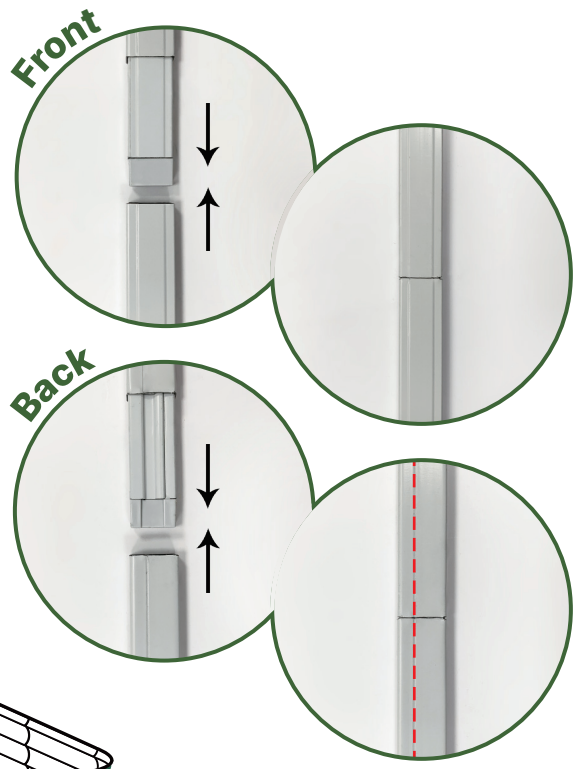
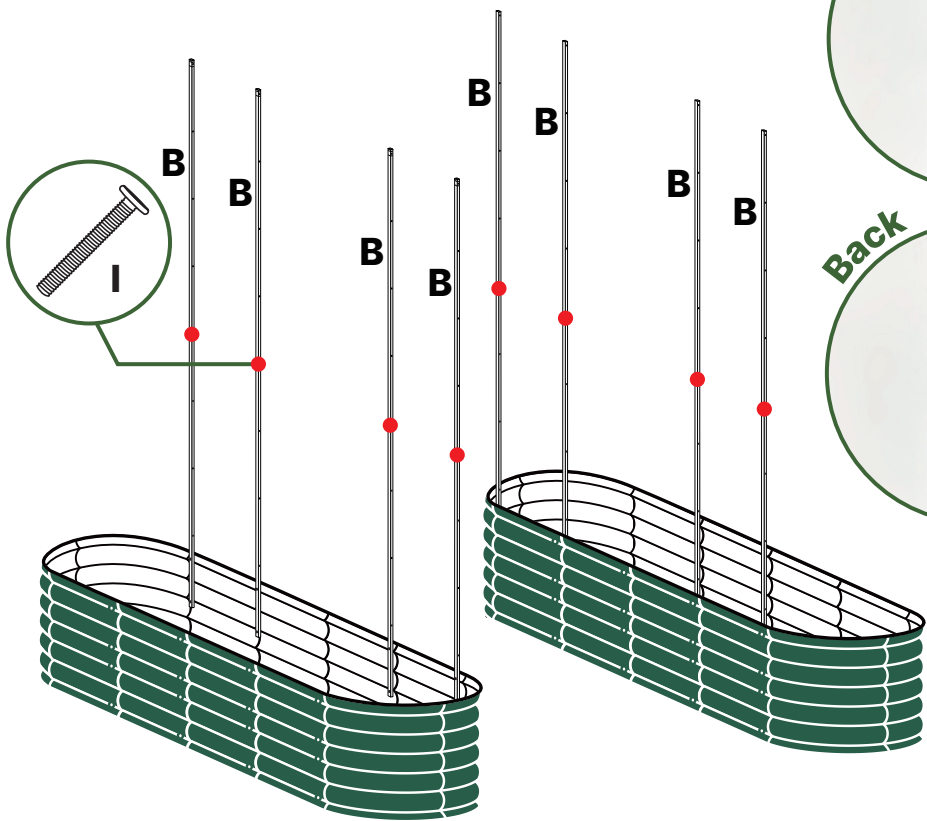
Fix four A1-rods to one of the garden beds with H-screws as marked in the diagram, with the narrower end of the rod facing upward.

Fix four A2-rods to another garden bed with H-screws as marked in the diagram, with the narrower end of the rod upwards.



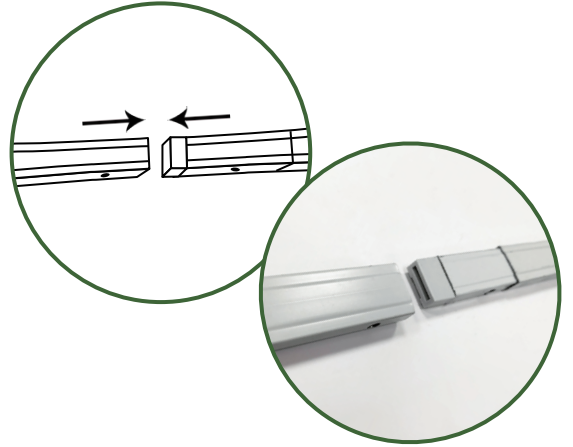
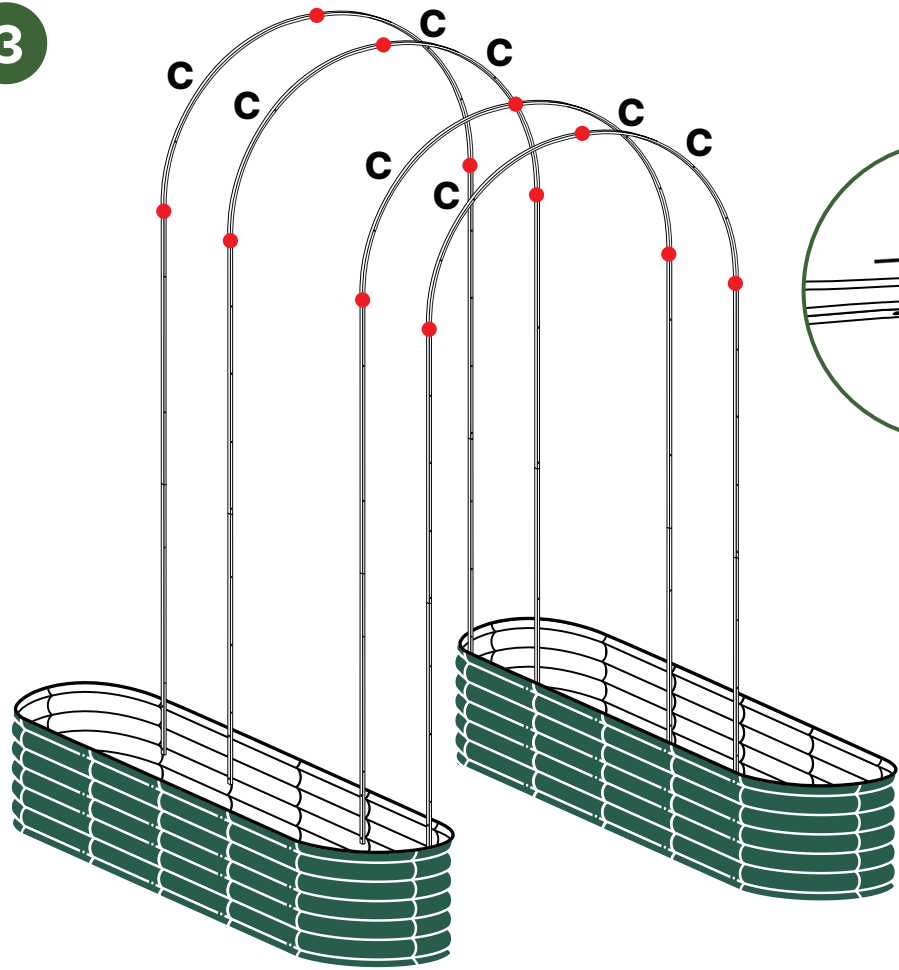
Please distinguish between the front and back of the straight rods when installing them, keeping the veins aligned on the front and the seams aligned on the back.

2



Install B-rods in the correct order, paying attention to the back seam alignment.

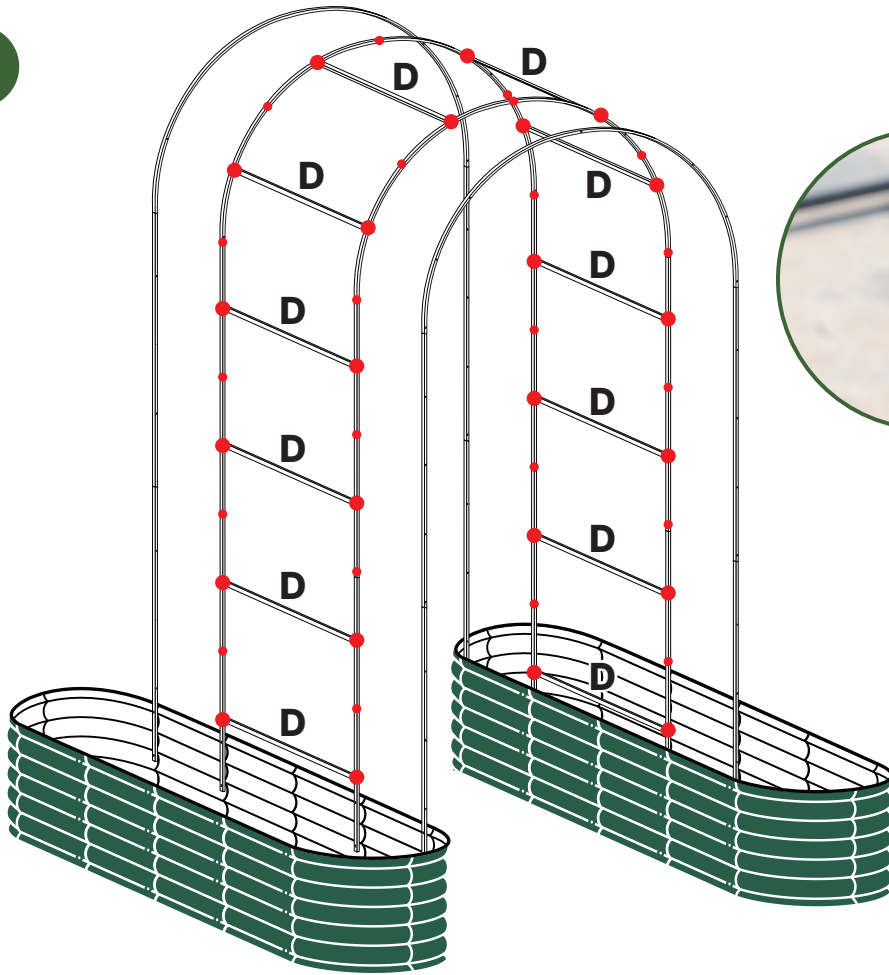
3



C-rods every two for a group, connected to form four large arc groups.

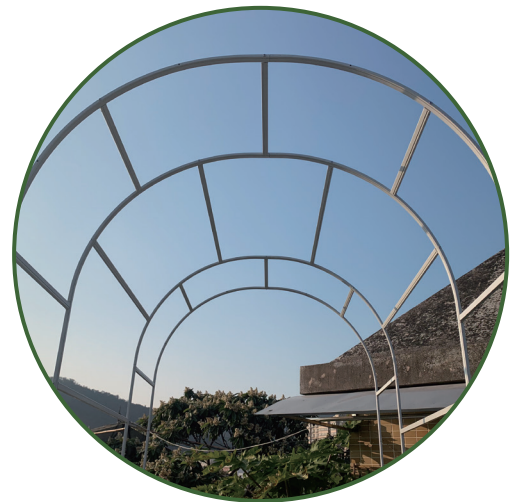
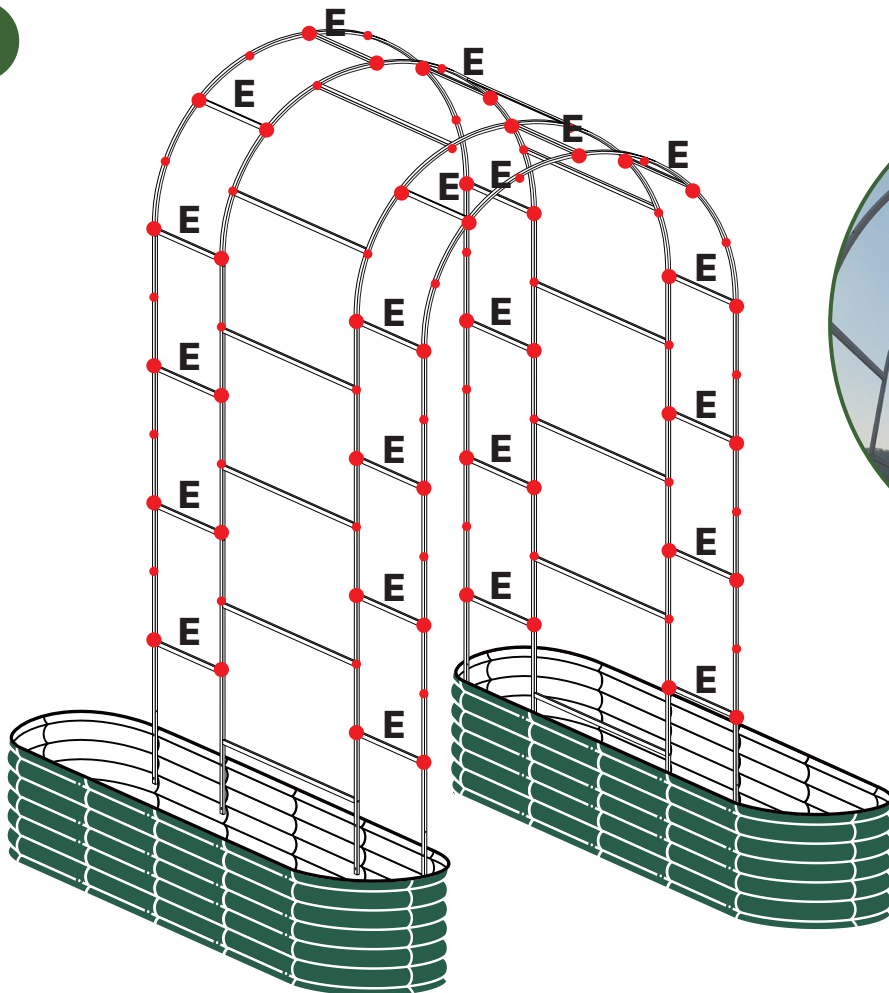
Inserting the ends of the arcs into the B-rods.

4



Installing the middle support rods, twelve D-rods, beginning with the hole closest to the garden bed and going to every other hole.

5




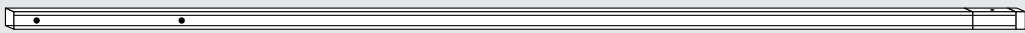



Install twenty-two E-rod support rods on both sides, one rod at every other hole until the top.

ASSEMBLY INSTRUCTION

Arched Trellis 6 in 1



Package List

A₁	39"		× 4
A₂	39.5"		× 4
B	39.5"		× 8
C	35"		× 8
D	18"		× 34

H



× 16

I

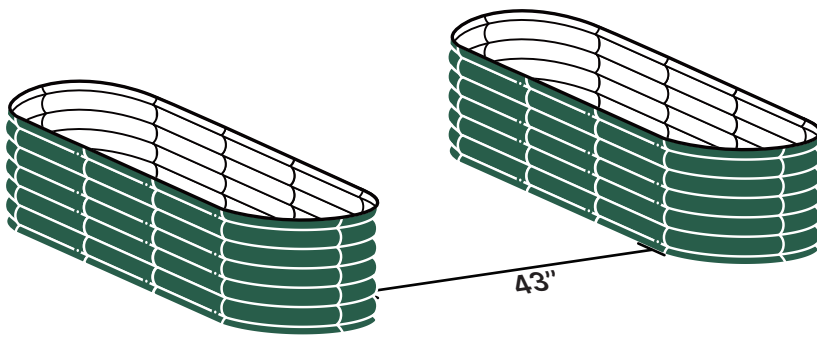


× 70

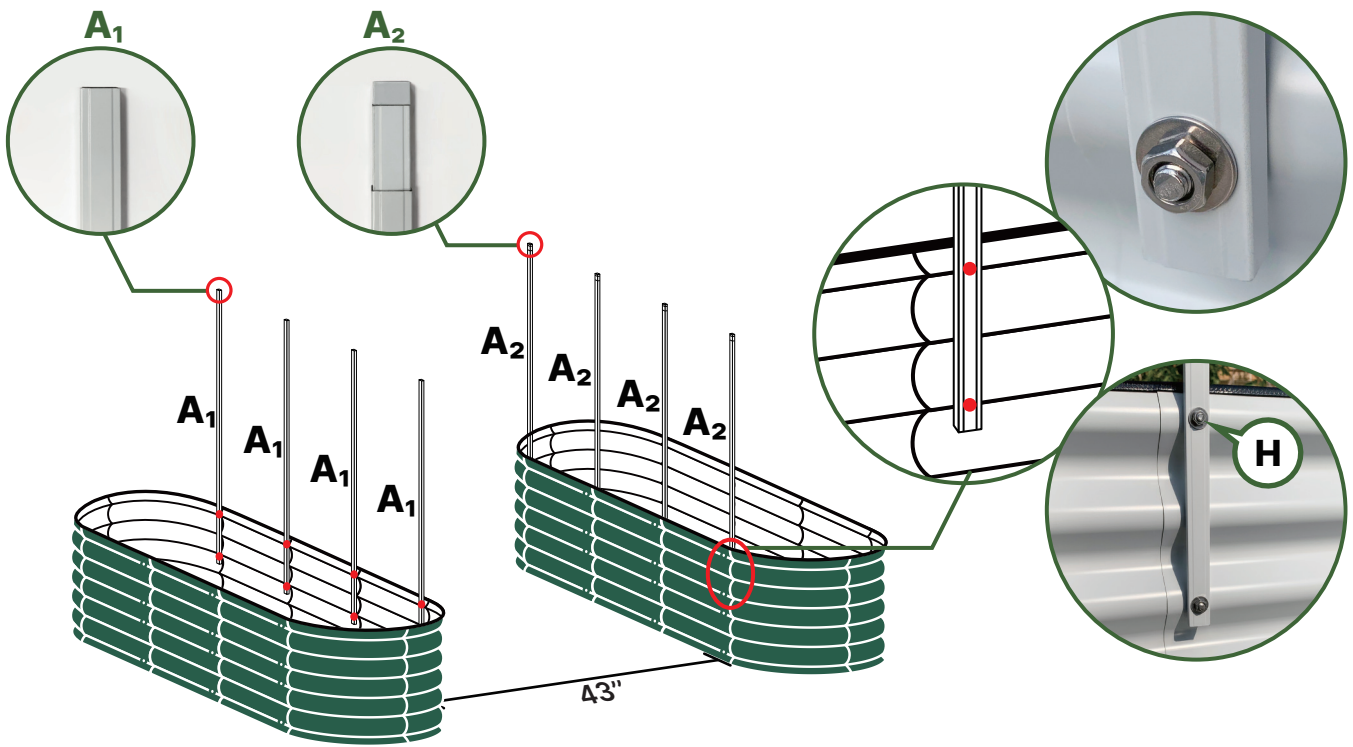


× 1

1



Put two 6-in-1 garden beds in parallel with 43-inch width between them.

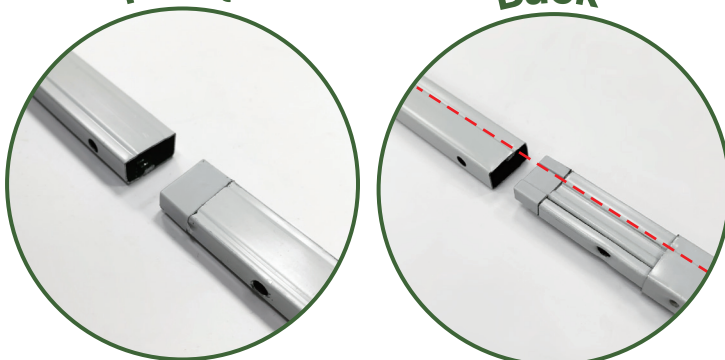


Fix four A1-rods to one of the garden beds with H-screws as marked in the diagram, with the narrower end of the rod facing upward.

Fix four A2-rods to another garden bed with H-screws as marked in the diagram, with the narrower end of the rod upwards.

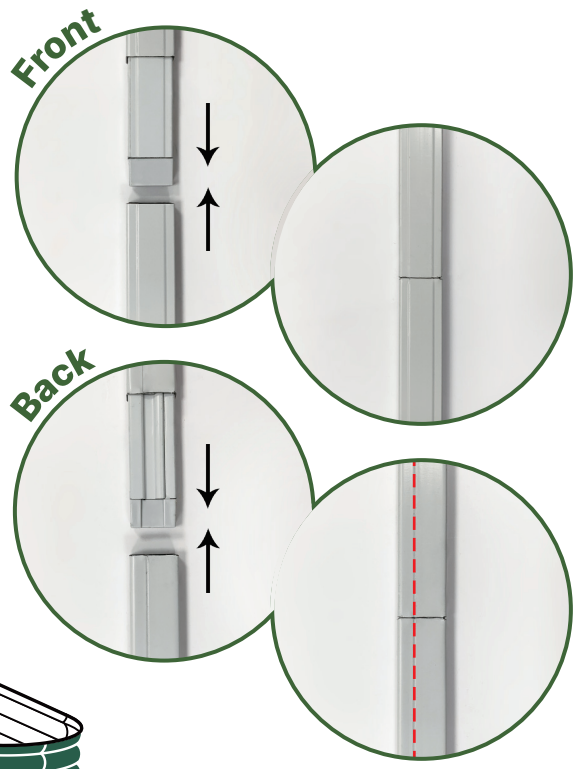
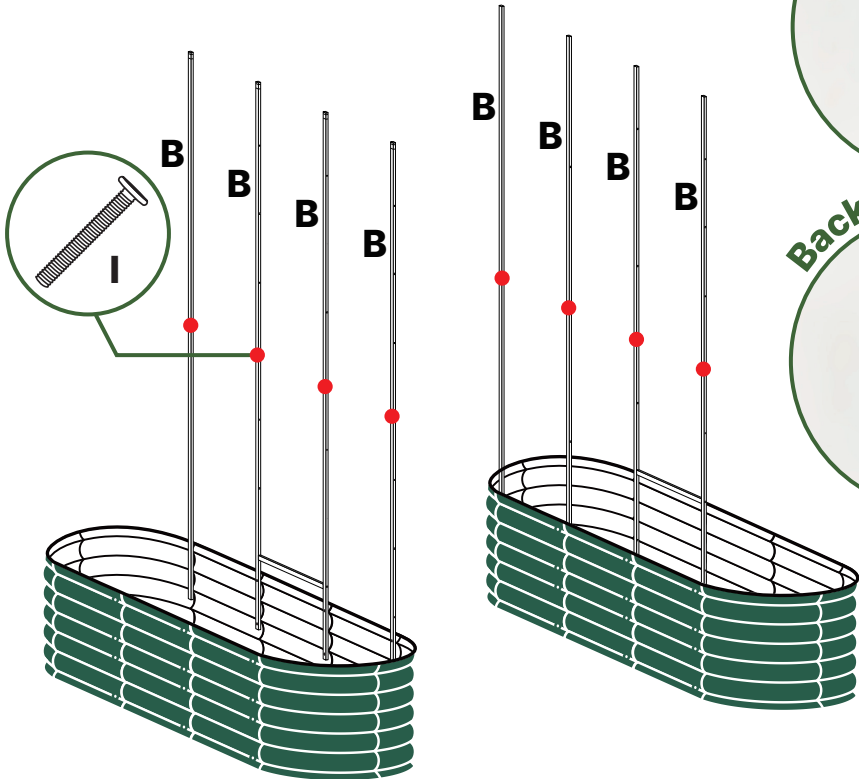
Front

Back



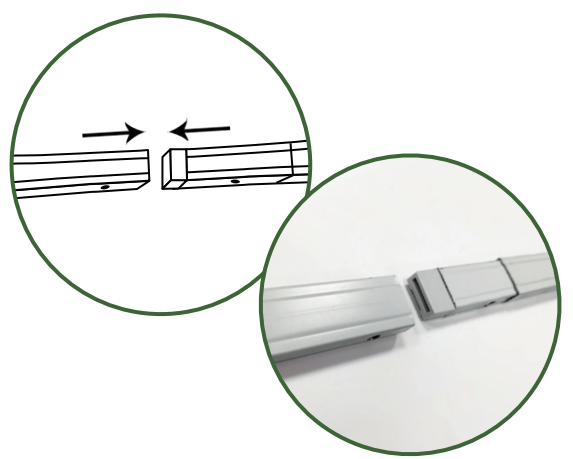
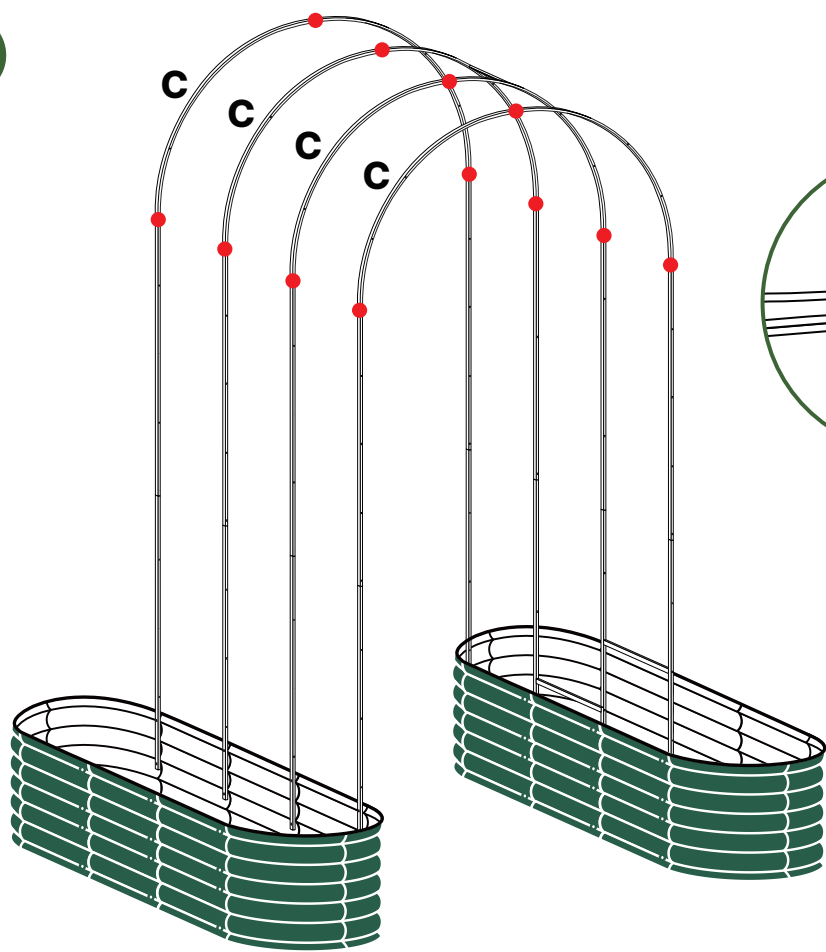
Please distinguish between the front and back of the straight rods when installing them, keeping the veins aligned on the front and the seams aligned on the back.

2



Install B-rods in the correct order, paying attention to the back seam alignment.

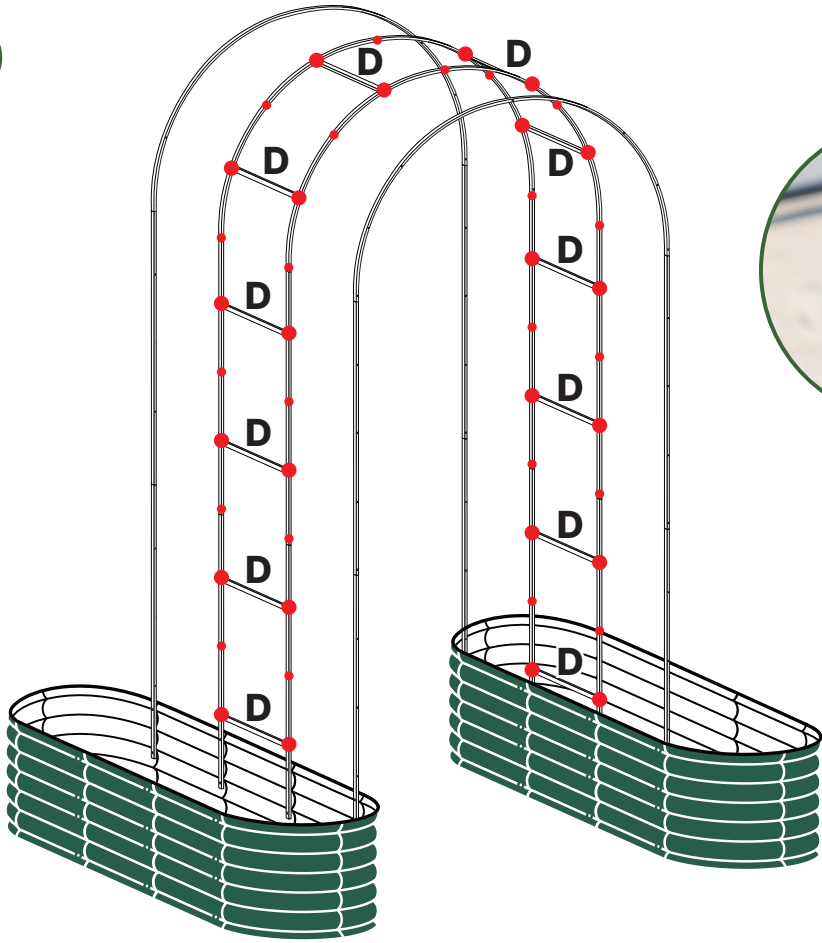
3



C-rods every two for a group, connected to form four large arc groups.

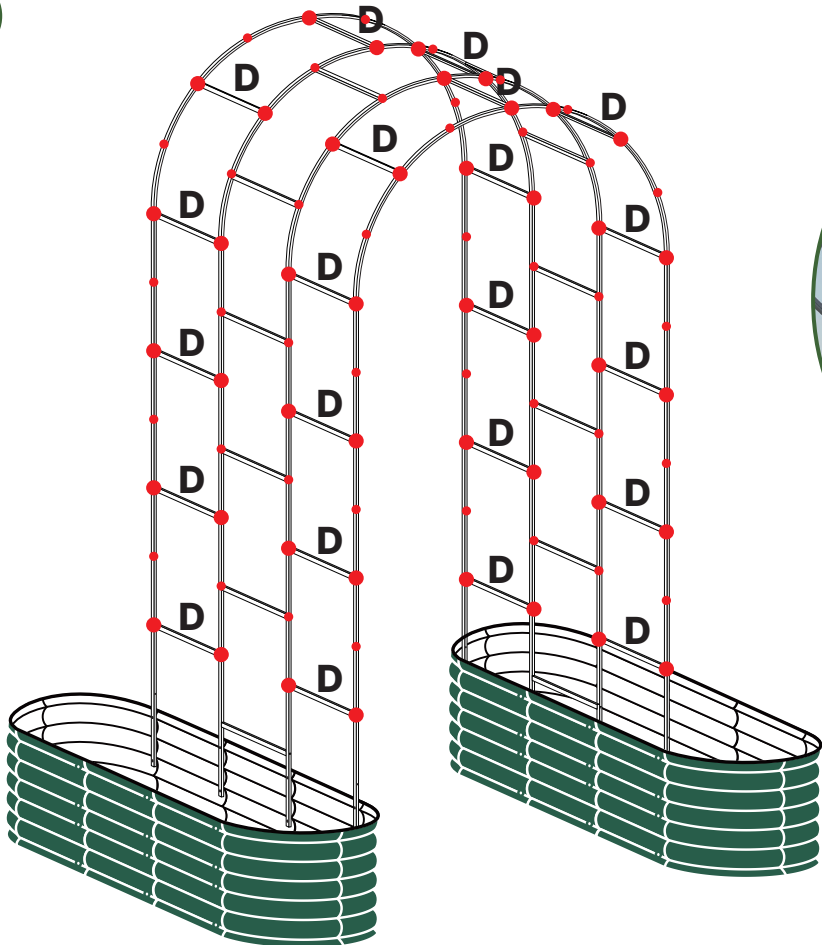
Inserting the ends of the arcs into the B-rods.

4



Installing the middle support rods, twelve D-rods, beginning with the hole closest to the garden bed and going to every other hole.

5



Install twenty-two D-rod support rods on both sides, one rod at every other hole until the top.