









ASSEMBLY INSTRUCTION

Cover System 8'x2'



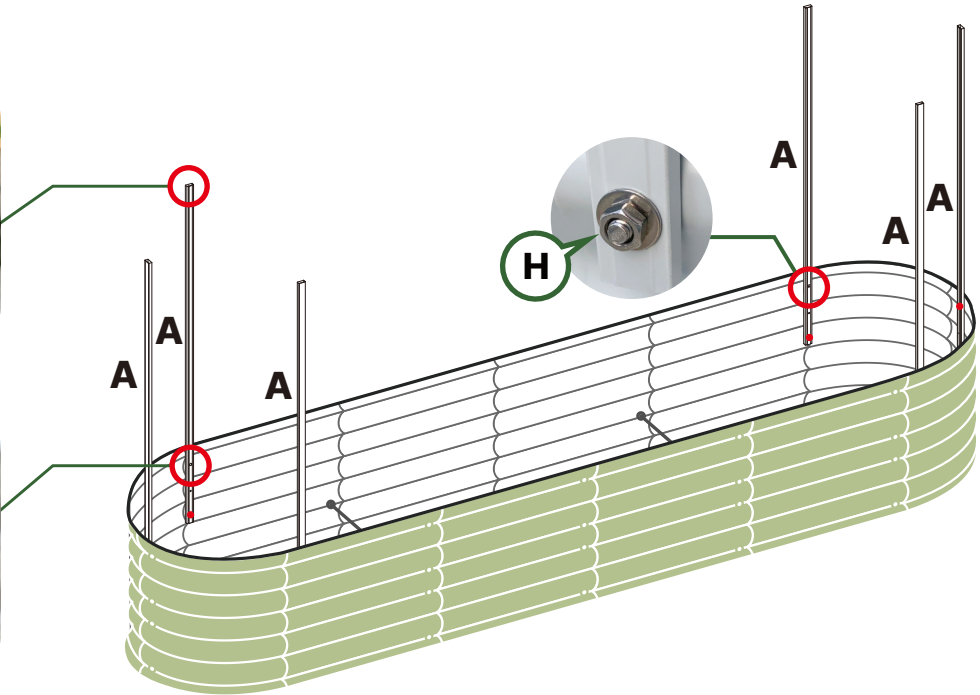
Package List

A	39"		× 6
B	20"		× 8
C	12"		× 4
D₁	12"		× 2
D₂	11"		× 2
H		 × 12	
I		 × 10	
		 × 1	

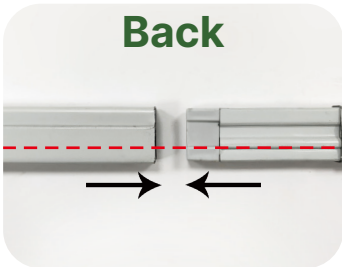
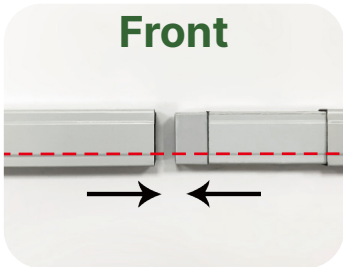
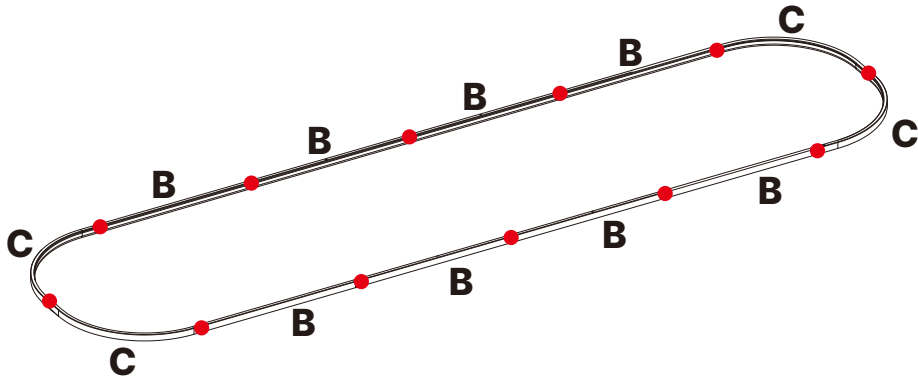
1

Install the six A-rods on the inside of the bed. (as shown in the figure)

The 17" and 32" tall garden beds fix A-rods to the first and third holes, respectively. The 11" tall garden beds secure A-rods to all holes.



2

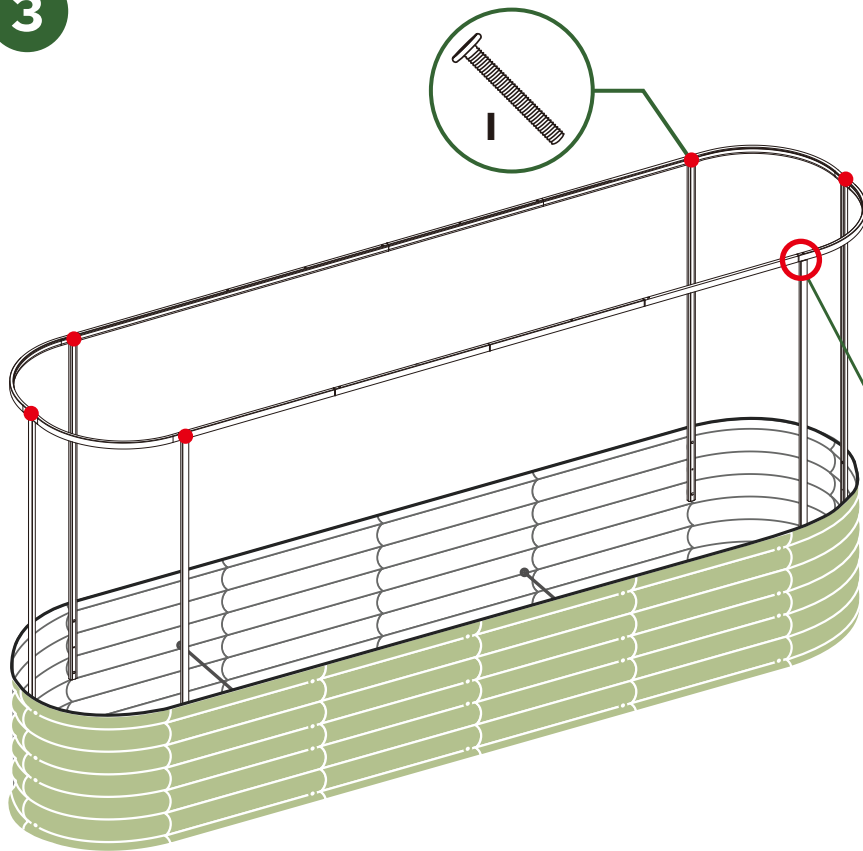


Connect eight B-rods and four C-rods as illustrated to form an oval, taking care to distinguish the front and back of each joint.



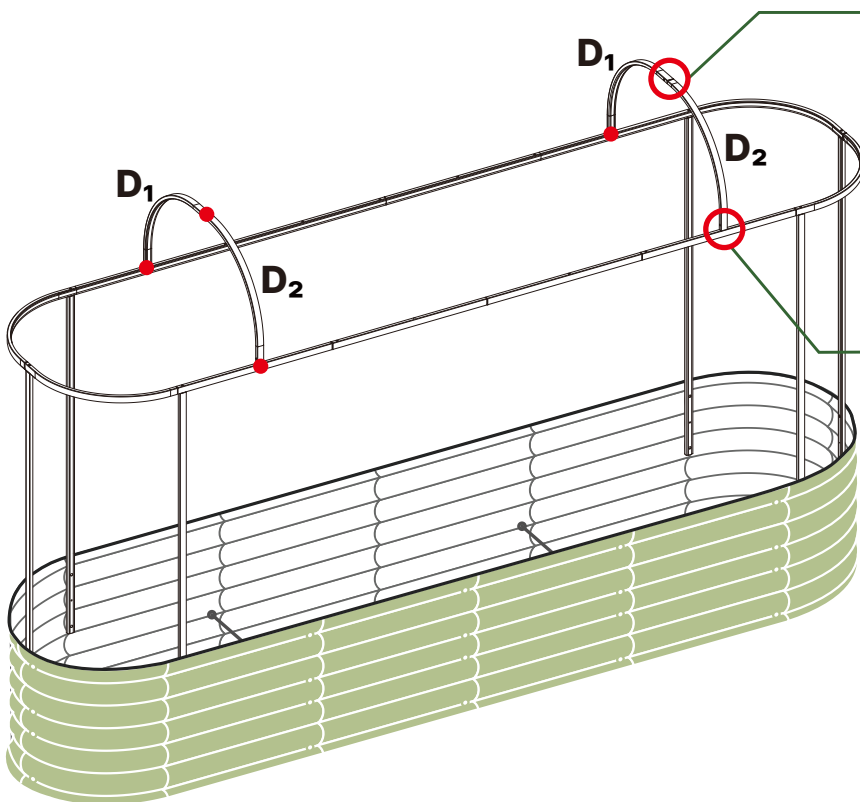
Note the distinction between C-rods, D1-rods, and D2-rods, which have different joints.

3



Secure the oval assembled in step 2 on the top of six A-rods with I-screws.

4



Connect D1-rods and D2-rods to form two semicircles and screw them to the oval.









Cover it with a protective net or plastic insulation film.

ASSEMBLY INSTRUCTION

Cover System 6.5'×3.5'



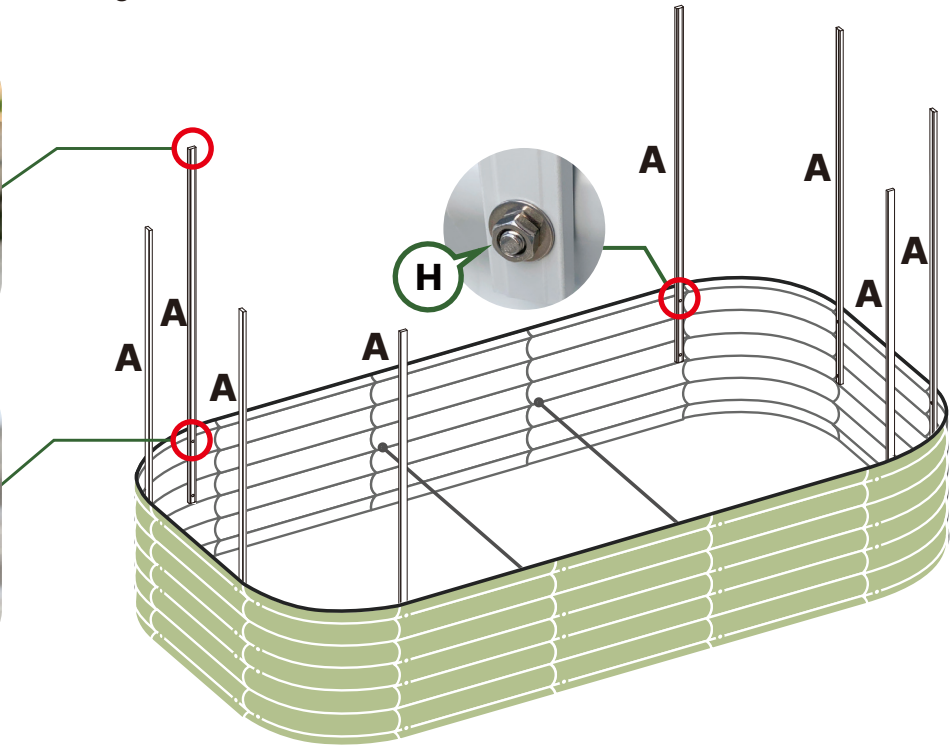
Package List

A	39"		× 8
B	20"		× 10
C	12"		× 4
D₁	12"		× 2
D₂	11"		× 2
H		 × 16	
I		 × 12	
		 × 1	

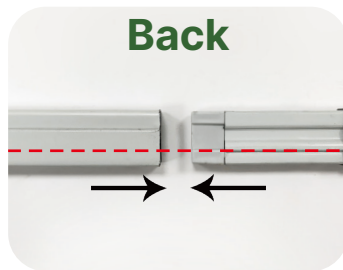
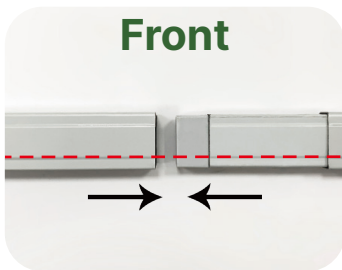
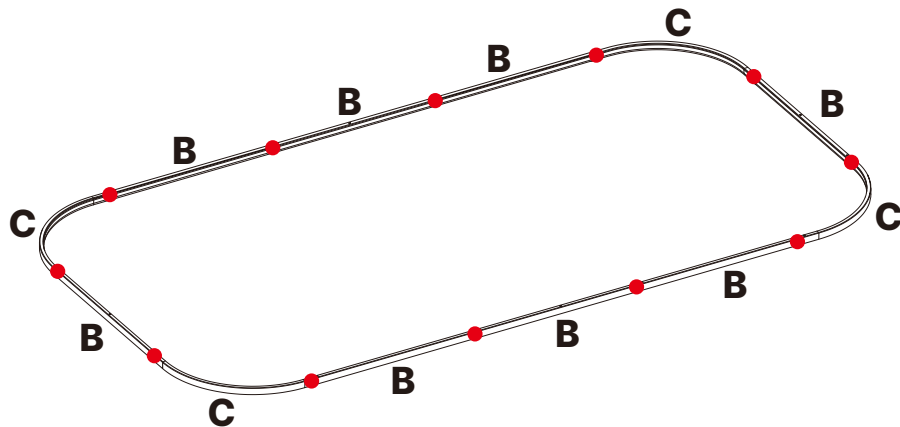
1

Install the eight A-rods on the inside of the bed. (as shown in the figure)

The 17" and 32" tall garden beds fix A-rods to the first and third holes, respectively. The 11" tall garden beds secure A-rods to all holes.



2

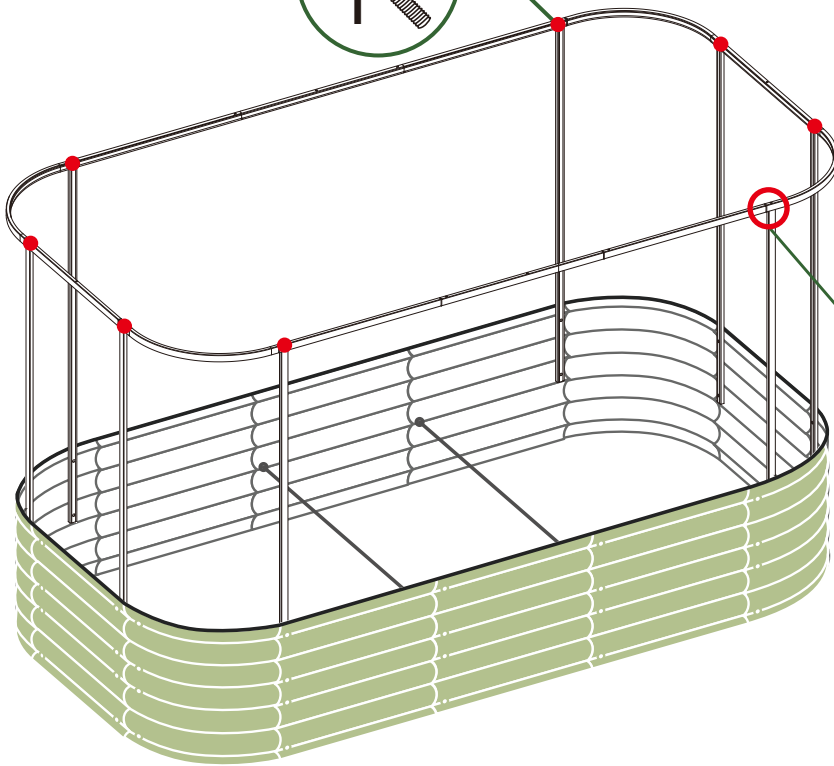


Connect eight B-rods and four C-rods as illustrated to form an oval, taking care to distinguish the front and back of each joint.



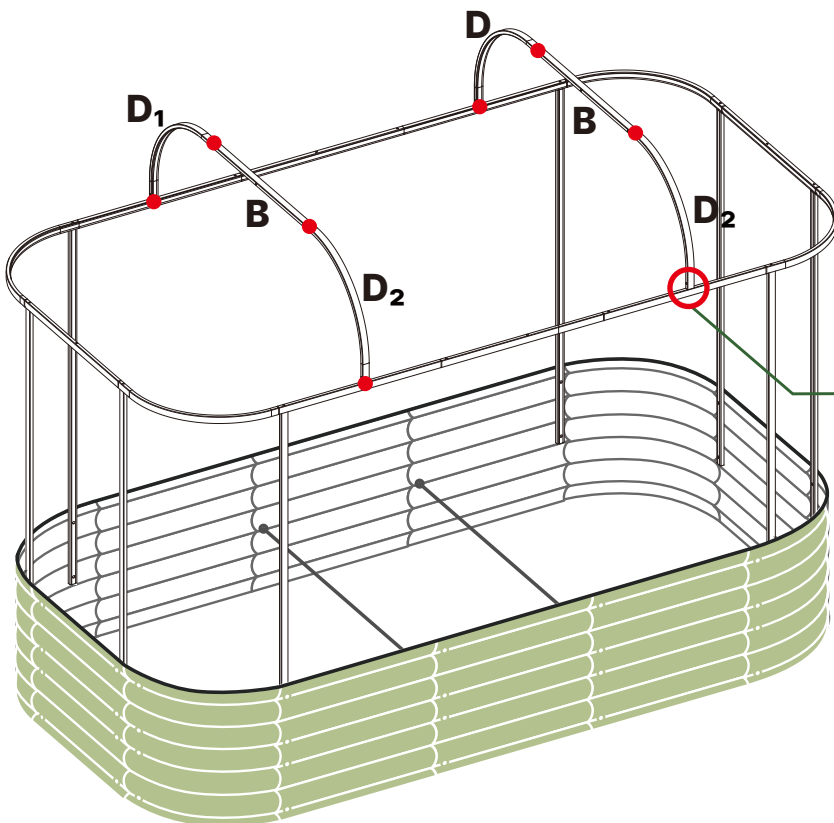
Note the distinction between C-rods, D1-rods, and D2-rods, which have different joints.

3



Secure the oval assembled in step 2 on the top of eight A-rods with I-screws.

4



Connect D1 rods, B rods and D2 rods to form two semicircles and screw them to the oval.

Cover it with a protective net or plastic insulation film.