

STILO SUPREMA

WALL



A PERFECT BALANCE OF STYLE AND PERFORMANCE

The Stilo Suprema is not only aesthetically pleasing with its sleek stainless steel and black glass design but also offers impressive functionality. One of the standout features of the Stilo Suprema is the Perimeter Aspiration technology. This technology effectively removes and filters out unwanted odors and particles from the air, ensuring that your kitchen remains clean and fresh, even during intense cooking sessions.

AVAILABLE MODELS

MODEL	FUN	SIZE / FINISH	MOTOR CLASS
STSP30SSV	325.0703.437	30" Stainless Steel / Glass Front	295 / 395 / 600 CFM
STSP36SSV	325.0703.436	36" Stainless Steel / Glass Front	295 / 395 / 600 CFM



ADJUST THE COLOR TEMPERATURE OF THE LIGHTS - FROM COOL TO WARM. COOLER LIGHTING FOR TASKS THAT REQUIRE FOCUS SUCH AS READING RECIPES, OR A SOFTER WARMER LIGHT FOR A COZY AND INVITING ATMOSPHERE DURING MEALS.



FABER
FRANKE'S AIR EXPERT

800 Aviation Parkway, Smyrna, TN 37167 (508) 358-5353 | www.faberonline.com

STILO SUPREMA

WALL



MODEL	FUN	SIZE / FINISH	MOTOR CLASS
STSP30SSV	325.0703.437	30" Stainless Steel / Glass Front	295 / 395 / 600 CFM
STSP36SSV	325.0703.436	36" Stainless Steel / Glass Front	295 / 395 / 600 CFM

FEATURES	PERFORMANCE	ACCESSORIES
<p>Dimensions</p> <p>Ceiling Height Min 24" OFF - 7' 8 1/16" Max 30" OFF - 9' 3/4"</p> <p>Canopy Depth Height 17 7/8" D x 2 3/8" H</p> <p>Ducting</p> <p>Type Ducted/ Ductless with DUCT4 Kit</p> <p>Duct Size Top 6" Round</p> <p>Lighting</p> <p>Type Energy-Efficient LED Bar</p> <p># of Bulbs One - 4 Watt - 2 Level</p> <p>Tunable Lights 5 Settings From 2700K to 6500K</p> <p>Grease Filters</p> <p>Filter Type Mesh</p> <p>Dishwasher Safe Yes</p> <p>Filter Alarm Yes</p>	<p>Motor</p> <p>No. of Fan Speeds 4 Speed</p> <p>Motor Class 295/395/600 CFM</p> <p>Variable Air Management Ability to set to 295, 395, 600 CFM</p> <p>Energy Efficient Motor Yes</p> <p>Perimeter Aspiration Yes</p> <p>Sound Pro Yes</p> <p>Display</p> <p>Controls Digital LED behind glass</p> <p>Intensive Speed 6 Minutes</p> <p>Delay Shut-off 15 Minutes</p> <p>Anti-Pollution Mode 24 Hours</p> <p>Other</p> <p>ADA Compliant With Remote Control or Faber Cloud App Voice Activation</p> <p>Faber Cloud App Control with Mobile Device</p> <p>Voice Activated Apple Siri, Google Home or Amazon Alexa</p> <p>Remote Control Purchase Separately</p> <p>Power Cord Included</p>	<p>HIGH4 High Ceiling Chimney Kit (up to 12')</p> <p>DUCT4 Ductless Conversion Kit</p> <p>FILTER2 Replacement Charcoal Filter</p> <p>MUDAMPER6 6" Make-up Air Kit</p> <p>MUDAMPER8 8" Make-up Air Kit</p> <p>REMORIG Wireless Remote Control</p> <p>WIREBOX Fixed Wiring Box</p>

STILO SUPREMA

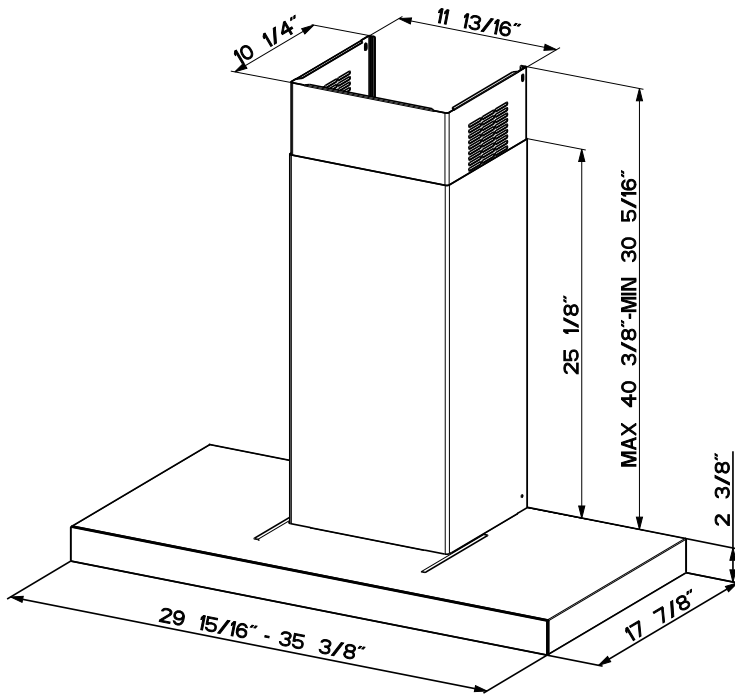
WALL

MODEL	FUN	SIZE / FINISH	MOTOR CLASS
STSP30SSV	325.0703.437	30" Stainless Steel / Glass Front	295 / 395 / 600 CFM
STSP36SSV	325.0703.436	36" Stainless Steel / Glass Front	295 / 395 / 600 CFM



DIMENSIONAL DRAWINGS

FRONT VIEW



SIDE VIEW

